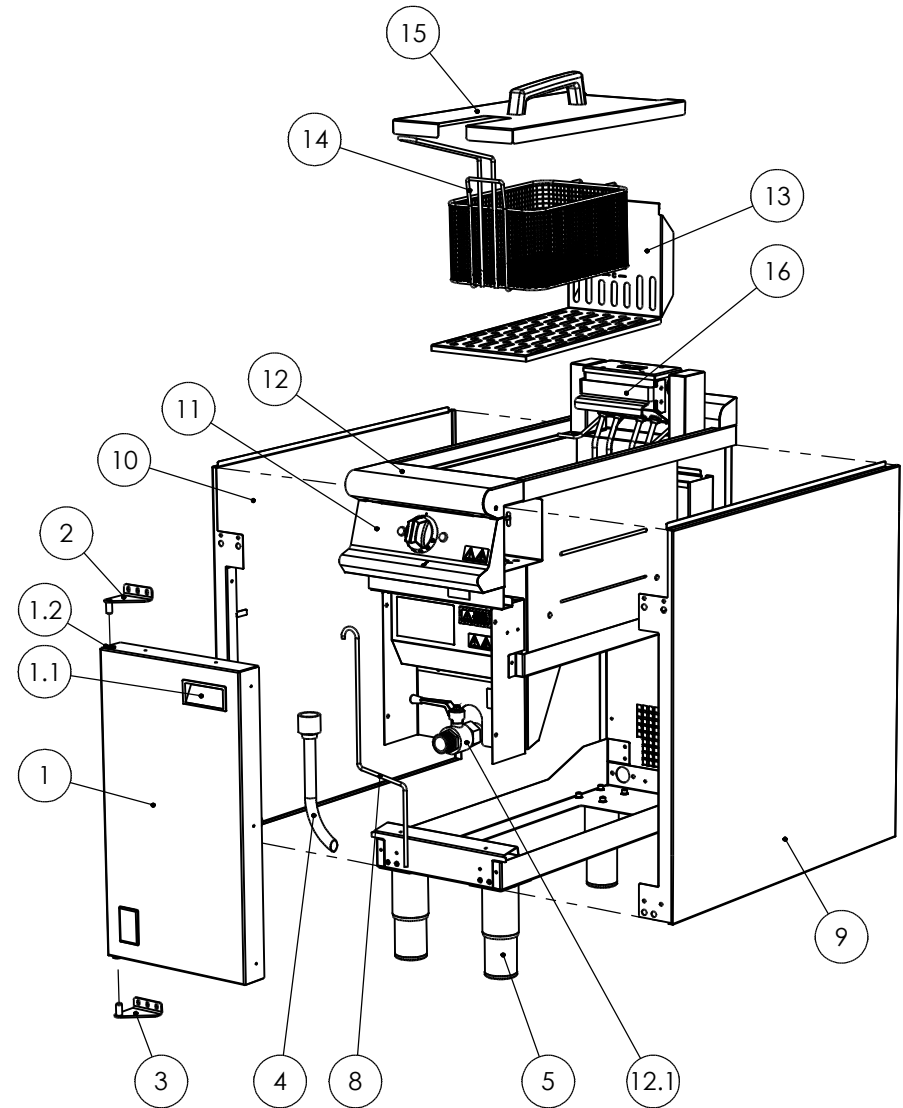


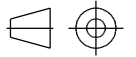
ITEM	DESCRIPTION	SPARES No
1	DOOR ASSEMBLY	731320100
1.1	DOOR HANDLE	736010020
1.2	DOOR HINGE BUSH (x2)	536060036
2	DOOR HINGE - TOP	535200006
3	DOOR HINGE - BOTTOM	535200007
4	DRAIN TUBE ASSEMBLY	535710015
5	ADJUSTABLE FOOT	535290028
6	CASTOR - BRAKED (x2) - NOT SHOWN	536430110
7	CASTOR - FIXED (x2) - NOT SHOWN	536470013
8	DRAIN PROD / LIFTING TOOL	731350012
9	OUTER SIDE PANEL - RH	535580002
10	OUTER SIDE PANEL - LH	535580003
11	CONTROL PANEL	731320101
12	HOB/PAN ASSEMBLY C/W DRAIN VALVE	731320102
12.1	DRAIN VALVE ASSEMBLY	535670008
13	ELEMENT GUARD	731320103
14	BASKET	531302010
15	DUST COVER	731320104
16	BASKET HANGER	731320105



CLEARED FOR PRODUCTION

ISSUE	MOD No	ALTERATION	DRAWN BY	DATE
A	1285/4	PRODUCTION ISSUE	G.SMITH	19/12/11

IF IN DOUBT ASK
DO NOT SCALE
FIRST ANGLE PROJECTION



UNLESS OTHERWISE SPECIFIED:
DIMENSIONS ARE IN MILLIMETERS
TOLERANCES:
LINEAR: ±0.5mm
ANGULAR: ±0.5 DEG

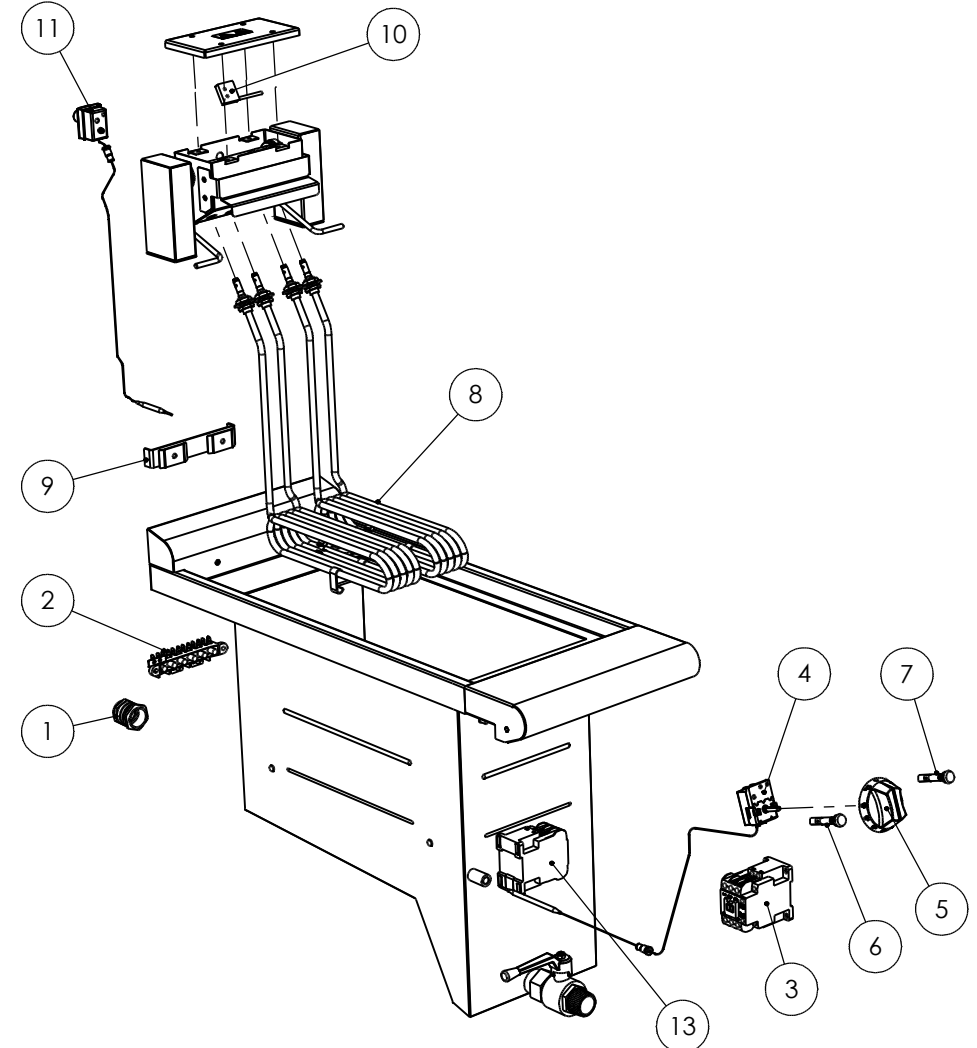
DEBUR AND
BREAK SHARP EDGES

WEIGHT: 146140.82g



DRAWN: G.SMITH	PRODUCT E3830 DOMINATOR PLUS FRYER	
DATE: 19/12/11	TITLE SPARES - MAIN BODY	
SCALE:	DRAWING NUMBER	ISSUE
MATL:	AD49200	A
THICKNESS:	FINISH:	PART No:
BIN No:		

ITEM	DESCRIPTION	SPARES No
1	MAINS CABLE GLAND C/W NUT	731350026
2	MAINS TERMINAL BLOCK	731000006
3	SAFETY CONTACTOR	734510010
4	OPERATING THERMOSTAT	731320106
5	CONTROL KNOB	731320107
6	RED NEON	735010370
7	AMBER NEON	735010380
8	ELEMENT C/W GASKETS	731320108
8.1	ELEMENT SET C/W GASKETS (2 OFF)	731320109
9	ELEMENT CLAMP ASSEMBLY	731320110
10	TILT SWITCH	735750014
11	SAFETY STAT C/W FITTINGS	731320113
12	WIRING LOOM (NOT SHOWN)	731320112
13	OPERATING CONTACTOR	734510010



PRODUCTION ISSUE

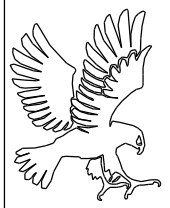
ISSUE	MOD No	ALTERATION	DRAWN BY	DATE
A	1285/4	PRODUCTION ISSUE	G.SMITH	19/12/11
B	7104	SAFETY STAT (ITEM 11), SPARES NO WAS 731320111	G.SMITH	15/05/14
C	7920	SAFETY CONTACT ADDED	G.SMITH	14/08/17

IF IN DOUBT ASK
DO NOT SCALE
FIRST ANGLE PROJECTION

UNLESS OTHERWISE SPECIFIED:
DIMENSIONS ARE IN MILLIMETERS
TOLERANCES:
LINEAR: ±0.5mm
ANGULAR: ±0.5 DEG

DEBUR AND
BREAK SHARP EDGES

WEIGHT: 159440.19g



DRAWN: G.SMITH	PRODUCT	E3830 DOMINATOR PLUS FRYER	
DATE: 19/12/11	TITLE	SPARES - CONTROLS	
SCALE:	DRAWING NUMBER	AD49201	ISSUE
MATL:	FINISH:		C
THICKNESS:	PART No:		
BIN No:			

© NO REPRODUCTION OR PUBLICATION OF THIS DRAWING MAY BE MADE AND NO ARTICLE MAY BE MANUFACTURED OR ASSEMBLED IN ACCORDANCE WITH THIS DRAWING WITHOUT PRIOR WRITTEN CONSENT. THIS PROHIBITION IS A TERM OF ANY CONTRACT RELATING TO THIS DRAWING. RIGHTS RESERVED UNDER THE COPYRIGHT ACT 1956 AS AMENDED BY THE DESIGN COPYRIGHT ACT 1968